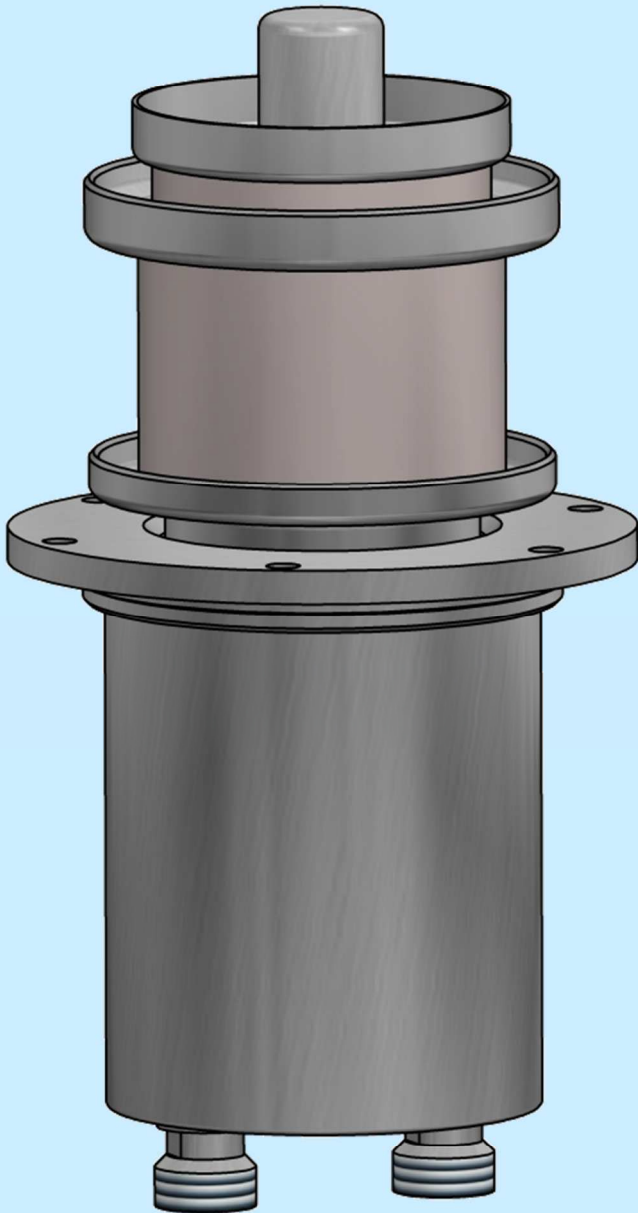


RS3021CJ

Water-cooled power triode
Output power: 25 kW



TESLA
ElectronTubes



RS3021CJ is water-cooled high-amplification triode, made by metal-ceramic technology. This electron tube is intended for industrial generators and amplifiers up to 120 MHz.

RS3021CJ is mostly used in generators for CO2 laser cutting machines TRUMPF up to 4 KW.

For operation in pulse mode, the parameters depends on equipment characteristics. Contact us for specific information.

RS3021CJ

Water-cooled power triode
Output power: 25 kW



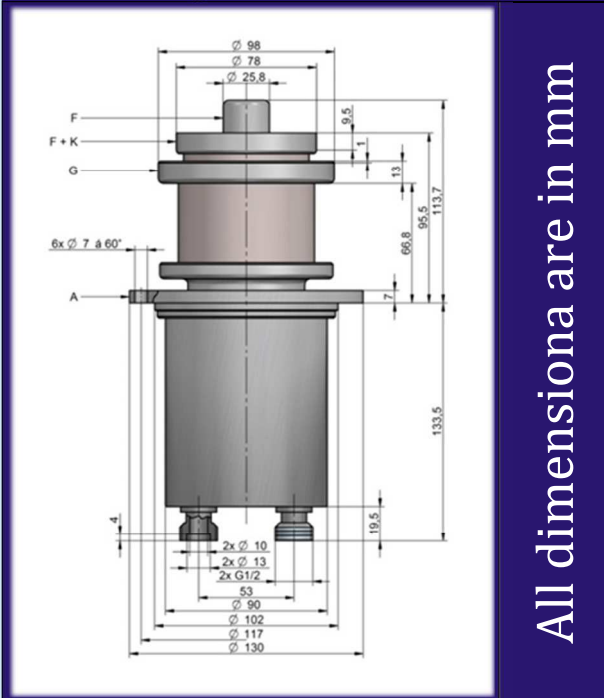
Technical specifications		
Cathode	WTh	
Filament voltage	5.7	V
Filament current	135	A
Amplification factor	120	
Transconductance	50	mA/V
Capacitance		
• grid-anode	11	pF
• grid-cathode	56	pF
• cathode-anode	0.3	pF

Maximum ratings		
Frequency	120	MHz
Anode voltage		
• < 40 MHz	14	kV
• ≥ 40 MHz	10	kV
Grid voltage	-800	V
Grid current	1.1	A
Grid dissipation	500	W
Anode dissipation	20	kW
Peak cathode current	25	A

Mechanical characteristics and cooling		
Anode cooling	water	
Water inlet temperature	35	°C
Temperature (any point of envelope)	220	°C
Water inlet pressure	10	bar
Water flow	16	l/min
Mounting position	vertical, anode up or down	
Weight	4.1	kg

Additional accessories*		
Sacrificial anodes		
Hoses		
Seals		
Grid contact ring		
Filament contact rings		
*for detailed information please contact our sales department		

Outline drawing



Constant current characteristics

