

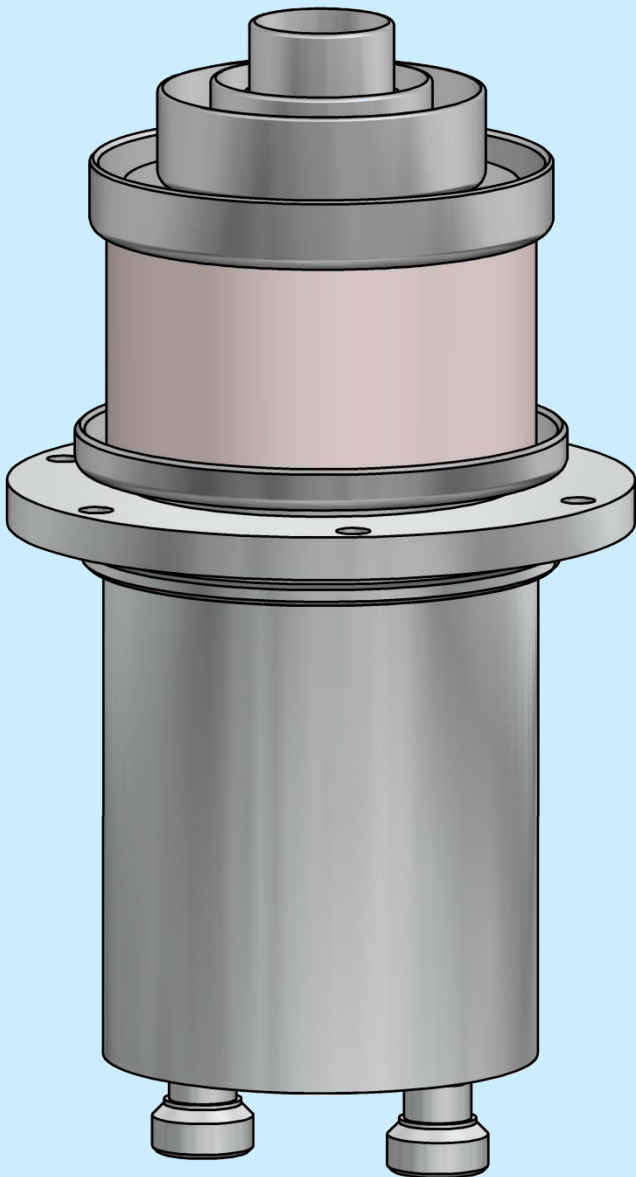
# RS2048CJ

Water-cooled power tetrode

Output power: 53 kW



**TESLA**  
ElectronTubes



RS2048CJ is water-cooled power tetrode, made by metal-ceramic technology. This electron tube is intended for industrial generators and amplifiers up to 110 MHz.

RS2048CJ is mostly used in generators for CO<sub>2</sub> TRUMPF laser cutting machines.

For operation in pulse mode, the parameters depend on equipment characteristics. Contact us for specific information.

# RS2048CJ

Water-cooled power tetrode

Output power: 53 kW



## Technical specifications

Cathode	WTh	
Filament voltage	9	V
Filament current	112	A
Amplification factor	7	
Transconductance	70	mA/V
Capacitance		
• Control grid-anode	0.8	pF
• Screen grid-anode	21	pF
• Cathode-anode	0.9	pF
• Grid I - grid II	112	pF
• Cathode - control grid	76	pF
• Cathode - screen grid	6	pF

## Maximum ratings

Frequency	110	MHz
Anode voltage		
• < 50 MHz	14	kV
• ≥ 50 MHz	14	kV
Screen grid voltage	1000	V
Control grid voltage	-300	V
Screen grid current	0.19	A
Control grid current	0.55	A
Screen grid dissipation	250	W
Control grid dissipation	70	W
Anode dissipation	30	kW
Peak cathode current	35	A

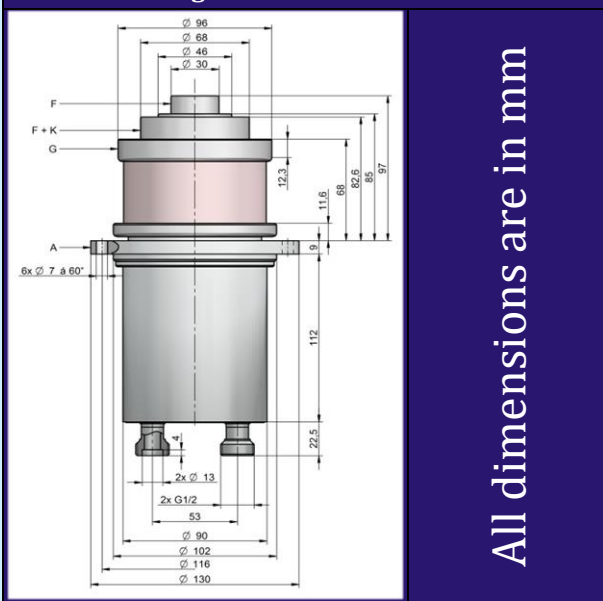
## Mechanical characteristics and cooling

Anode cooling	water	
Water inlet temperature	35	°C
Temperature (any point of envelope)	220	°C
Water inlet pressure	6	bar
Water flow	23,5	l/min
Mounting position	vertical, anode up or down	
Weight	4.4	kg

## Additional accessories\*

Sacrificial anodes
Hoses
Seals
Grids contact rings
Filament contact rings
*for detailed information please contact our sales department

## Outline drawing



All dimensions are in mm

## Constant current characteristics

